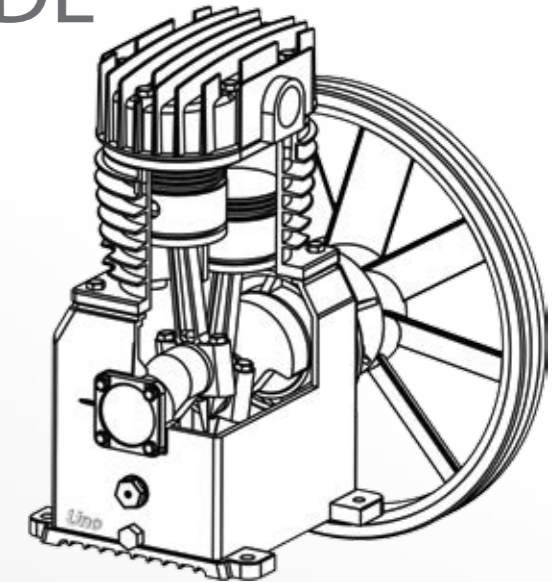


ALL PROFESSIONAL GRADE

- AIR TOOLS
- BELT DRIVE AIR COMPRESSORS
- SCREW AIR COMPRESSORS
- SILENT OILFREE SCROLL AIR COMPRESSORS
- DIRECT DRIVEN AIR COMPRESSORS
- ACCESSORIES



Unoair®

THE COMPRESSED AIR SYSTEM THAT A PROFESSIONAL DESERVES

SINCE 1978

Unoair®

UNO RESOURCING INC.

✉ marketing@unoair.com.tw / marketing@unoair.co.jp

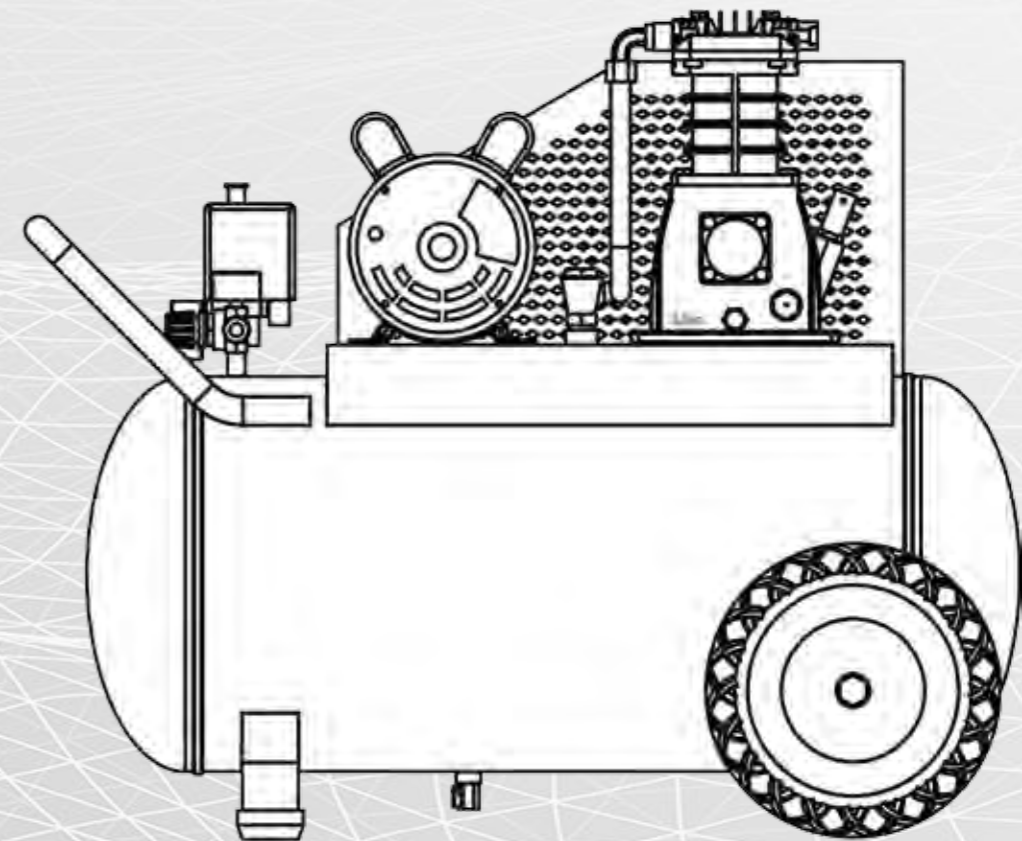
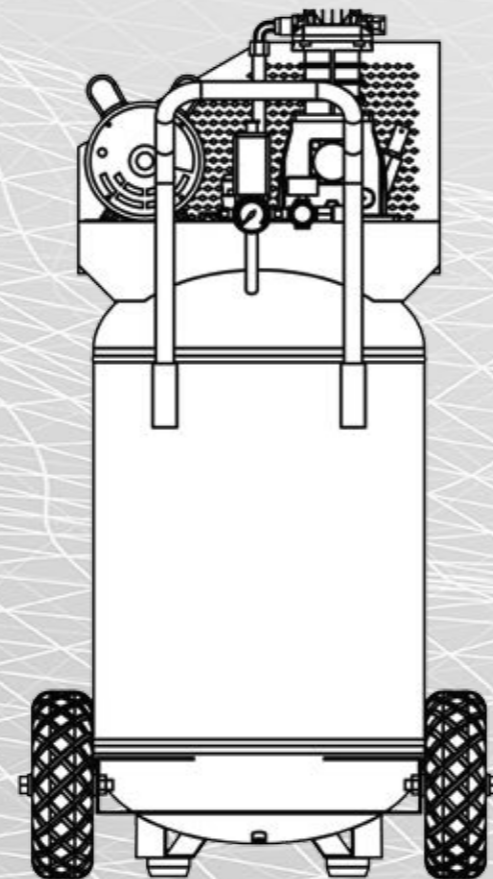
🏠 No. 27 Beihuan Road, Wuqi District, Taichung City, 435059, Taiwan

🌐 www.unoair.com.tw / www.unoair.co.jp

📠 Unoair Skype: [marketing@unoaircompressor.com](https://www.skype.com/contact/unoaircompressor.com)

THE UNO GROUP

UNO RESOURCING INC. (TAIWAN)
UNO KUNSHAN INDUSTRIAL INC. (CHINA)
SHANGHAI PUMA M.& E. INDUSTRIAL INC. (CHINA)
DAFENG ABUNDANT INDUSTRIAL INC. (CHINA)
KEISEI MACHINE TOOLS K.K. (JAPAN)



UB

Single Stage Belt-Drive Air Compressors

Unoair

- Aiming for High Performance and High Efficiency
- Simple Maintenance



UB20-100



UB100-300

Model	Motor		Tank		Cyl. Type	Air Displacement		Max Pressure		Packing (LxWxH) mm	N.W	
	HP	kW	L	GAL		L/min	CFM	PSI	Bar		kg	Lbs
UB-0130	0.25	0.19	30	8	1H	56	2	100	7	700*320*675	41.5	91
UE-2060	2	1.5	60	16	2V	185	6.5	115	8	1030*460*790	82	180
UB20-100	2	1.5	100	26	2V	250	8.8	145	10	1160*460*850	87	191
UB30-100	3	2.2	100	26	2V	330	11.7	115	8	1160*460*850	95	209
UB40-120	4	3	120	32	2V	430	15.2	115	8	1330*580*940	167	367
UB55-160	5.5	4	160	42	3W	720	25.5	115	8	1600*570*1020	178	392
UB75-250	7.5	5.5	250	66	2V	960	33.9	115	8	1600*720*1200	298	656
UB100-300	10	7.5	300	79	3W	1480	52.3	115	8	1860*670*1170	533	1172
UB150-300	15	11	300	79	3W	2170	76.6	115	8	1860*720*1200	557	1225

UT

Two Stage Belt-Driven Air Compressors

- Heavy Duty Two-Stage Air Pump
- Copper Outlet Tube for Supreme Cooling Performance



UT55-200



UT300-500

Model	Motor		Tank		Cyl. Type	Air Displacement		Max Pressure		Packing (LxWxH) mm	N.W	
	HP	kW	L	GAL		L/min	CFM	PSI	Bar		kg	Lbs
UT55-160	5.5	4	160	42	2H	616	21.7	175	12	1600*630*1130	216	475
UT55-200	5.5	4	160	42	2H	616	21.7	175	12	1440*640*1140	227	499
UT75-160	7.5	5.5	160	42	3W	660	23.4	175	12	1600*630*1130	246	541
UT100-300	10	7.5	300	79	4V	1230	43.5	175	12	1860*720*1170	574	1263
UT150-300	15	11	300	79	3W	1630	57.5	175	12	1860*720*1260	578	1271
UT200-300	20	15	300	79	2H	1970	69.5	175	12	1860*780*1260	680	1496
UT300-500	30	22	500	132	4V	3060	108	175	12	2140*935*1470	717	1577

○ Professionally Engineered for the Highest Performance and Optimization



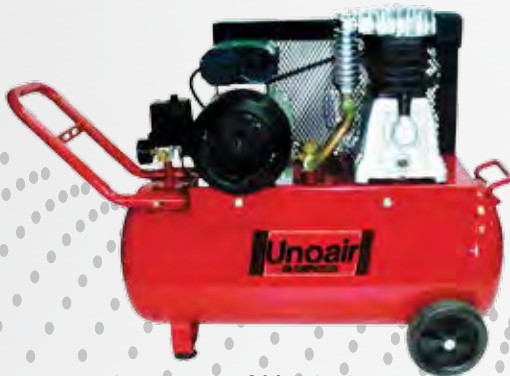
UV30-110



UV30-228



TV55-300



AH-3050



UC-2028



UH-3076



AH30-100

Model	Motor		Tank		Cyl. Type	Air Displacement		Max Pressure		Packing (LxWxH) mm	N.W	
	HP	kW	L	GAL		L/min	CFM	PSI	Bar		kg	Lbs
AH-3050	3	2.2	50	13	2H	330	11.7	115	8	780*420*800	65	143
AH30-100	3	2.2	100	26	2H	330	11.7	115	8	1110*490*900	92	202
UV30-110	2	1.5	110	29	2H	230	8.1	125	8.8	580*570*1310	72	158
UH-3076	2	1.5	76	20	2H	230	8.1	125	8.8	920*450*850	63	138
UC-2028	2	1.5	28	7.5	2H	230	8.1	125	8.8	1150*495*690	63	138
UV30-228	3	2.2	228	60	2H	320	11.3	125	8.8	580*570*1770	140	308
TV55-300	5.5	4	304	80	2H	550	19.4	175	12	1090*730*1980	285	627

UF

Oil-Free Belt-Driven Air Compressors



Oil-Free Air Compressor is Ideal for Food Processing, Laboratory Experiments, Chemical Processing and Other Work that Requires High Quality Oil-Free Clean Air



UF55-160



UF30-100

Model	Motor		Tank		Cyl. Type	Air Displacement		Max Pressure		Packing (LxWxH) mm	N.W	
	HP	kW	L	GAL		L/min	CFM	PSI	Bar		kg	Lbs
UF-2090	2	1.5	90	24	2V	240	8.5	115	8	1110*470*880	87	191
UF30-100	3	2.2	100	26	2V	305	10.8	115	8	1220*500*915	94	207
UF55-160	5.5	4	160	42	2V	650	23	115	8	1600*570*1020	184	405
UF75-250	7.5	5.5	250	66	3W	765	27	115	8	1600*720*1200	330	726
UF100-300	10	7.5	300	79	3W	970	34.2	115	8	1860*765*1240	375	825

- Low Noise During the Operation
- Simple Operation
- Auto/Manal Internal Adjustments

CS

Silent Belt-Driven Air Compressors

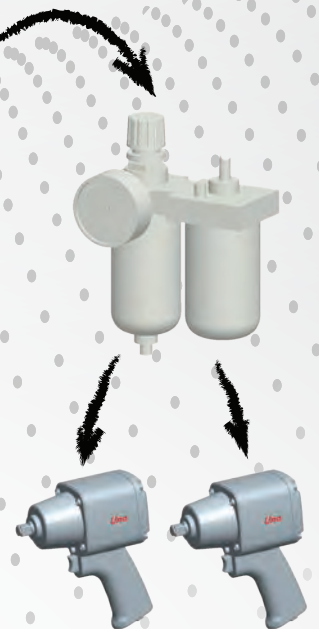
Air Tanks Are Also Available from Unoair



Air Pump Posi-



CS-20



Model	Motor		Tank		Cyl. Type	Air Displacement		Max Pressure		Packing (LxWxH) mm	N.W	
	HP	kW	L	GAL		L/min	CFM	PSI	Bar		kg	Lbs
CS-10	1	0.75	/	/	2V	140	4.9	115	8	750*690*1025	121	266
CS-20	2	1.5	/	/	2V	170	6	115	8	750*690*1025	126	277
CS-30	3	2.2	/	/	2V	275	9.7	115	8	750*690*1025	223	490
CS-40	4	3	/	/	2V	482	17	115	8	870*780*1285	245	539
CS-55	5.5	4	/	/	3W	725	25.5	115	8	870*780*1285	255	561
CS-75	7.5	5.5	/	/	2V	1045	36.9	115	8	1050*930*1395	367	807
CS-100	10	7.5	/	/	3W	1480	52.3	115	8	1050*930*1395	390	858

Auto

Designed for Automobile Repair

Unoair



Auto-55



Auto-55T

- Specially Designed and Engineered for Automobile Repair
- Available in Single Stage Pressure and Two Stage Pressure

Model	Motor		Tank		Cyl. Type	Air Displacement		Max Pressure		Packing (LxWxH) mm	N.W	
	HP	kW	L	GAL		L/min	CFM	PSI	Bar		kg	Lbs
Auto-30	3	2.2	120	32	3W	440	15.5	145	10	1280*560*940	141	310
Auto-55	5.5	4	160	42	3W	630	22.2	145	10	1600*570*1020	218	479
Auto-55T	5.5	4	160	42	2H	470	16.6	175	12	1500*590*1120	228	501
Auto-100T	10	7.5	250	66	4V	940	33.2	175	12	1700*700*1220	370	814

Unoair

Gas Engine Powered Air Compressor



Au-



UC-7028G

- Designed to Achieve Maximum Portability
- Ideal for Truck Mounting and Road Repair

Model	Engine	Tank		Cyl. Type	Air Displacement		Max Pressure		Packing (LxWxH) mm	N.W	
	HP	L	GAL		L/min	CFM	PSI	Bar		kg	Lbs
Auto-65G	6.5	120	32	3W	450	16	145	10	1280*560*940	141	310
Auto-130G	13	250	66	2H	700	24.7	175	12	1700*700*1220	290	639
UC-7028G	7	28	7.5	2H	430	15.2	125	8.8	1160*560*770	86	189
UG-7076	7	76	20	2H	430	15.2	125	8.8	1000*460*895	99	218

2 in 1

AC Generator Attached Air Compressor

- Ideal for Truck Mounting and Outdoor Repairs (Require AC Outlet)
- 120V and 240V Outlets are Simultaneously Usable



UG-1328

Model	Horse Power	Alternator Wattage			Receptacles	Air Displacement		Tank	Max Pressure	Pump RPM	Packing(L x W x H)	N.W.	
	HP	MAX OUTPUT	CONT.WITH COMP. ON-LOAD	CONT.WITH COMP. OFF-LOAD	Type	CFM@90PSI	CFM@175PSI	Gal	PSI	r/min	mm	kg	Lbs
UG-1328G	13HP	3800W	1700W	3300W	(2) NEMA 5-20R, (1) NEMA L6-20R	16.3	15.7	8	175	1100	1360*600*920	88	194